

MOD8I/A: 8 digitale inputmodule voor NO contacten in modulaire behuizing

De MOD8I/A modules zenden, via de Contatto-bus, 8 ON-OFF signalen uit komende van drukknoppen, limietschakelaars, naderingsschakelaars, enz.

De inputcontacten moeten vrij zijn van enige potentiaal en moeten gevoed worden door de referentiespanning wat door de module zelf wordt voorzien.

De MOD8I/A modules hebben een 9-aansluitingsblok voor de inputverbindingen en een 5-aansluitingsblok voor de verbindingen naar de 4-dradenbus. De vijfde aansluiting wordt enkel door de adresprogrammeur gebruikt.

Op het voorpaneel tonen 8 rode LEDs de inputstatus en een groene LED signaleert de power-on conditie.

Het geprogrammeerd adres kan neergeschreven worden op het label op het voorpaneel.

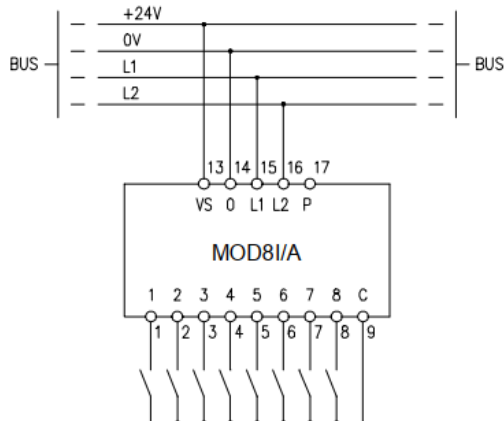


Adresprogrammatie

Voor een goede werking moet er een inputadres binnen het bereik van 1 tot 127 toegekend worden aan de MOD8I/A module via de FXPRO programmer.

Bedrading

De MOD8I/A module laat verbindingen tot potentiaal-vrije contacten toe die gevoed worden door het 24Vdc gemeenschappelijke signaal voorzien door de module zelf (aansluiting 9), zoals op de volgende tekening:

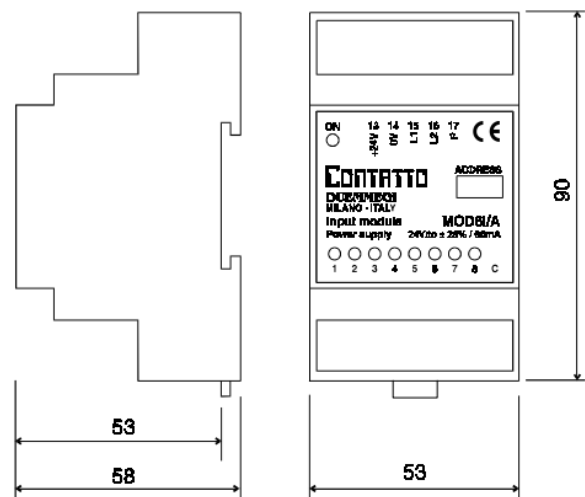


Opmerking: het inputgedeelte kan niet elektronisch geïsoleerd zijn van de busvoeding.

Technische kenmerken

| | |
|--------------------------|--------------------|
| Voeding | 24V \pm 25% SELV |
| MAX. stroomconsumptie | 60mA |
| Stroom voor elke input | 5mA @ 24Vdc |
| Toegelaten inputspanning | 10 - 40Vcc |
| Bedrijfstemperatuur | -10 – +50 °C |
| Bewaartemperatuur | -30 – +85 °C |
| Beveiligingsgraad | IP20 |

Afmetingen



Correct disposal of this product

(Waste Electrical & Electronic Equipment)
(Applicable in the European Union and other European countries with separate collection systems). This marking on the product, accessories or literature indicates that the

product should not be disposed of with other household waste at the end of their working life. To prevent possible harm to the environment or human health from uncontrolled waste disposal, please separate these items from other types of waste and recycle them responsibly to promote the sustainable reuse of material resources. Household users should contact either the retailer where they purchased this product, or their local government office, for details of where and how they can take these items for environmentally safe recycling. This product and its electronic accessories should not be mixed with other commercial wastes for disposal.

Installation and use restrictions**Standards and regulations**

The design and the setting up of electrical systems must be performed according to the relevant standards, guidelines, specifications and regulations of the relevant country. The installation, configuration and programming of the devices must be carried out by trained personnel. The installation and the wiring of the bus line and the related devices must be performed according to the recommendations of the manufacturers (reported on the specific data sheet of the product) and according to the applicable standards.

All the relevant safety regulations, e.g. accident prevention regulations, law on technical work equipment, must also be observed.

Safety instructions

Protect the unit against moisture, dirt and any kind of damage during transport, storage and operation. Do not operate the unit outside the specified technical data.

Never open the housing. If not otherwise specified, install in closed housing (e.g. distribution cabinet). Earth the unit at the terminals provided, if existing, for this purpose. Do not obstruct cooling of the units. Keep out of the reach of children.

Setting up

The physical address assignment and the setting of parameters (if any) must be performed by the specific softwares provided together the device or by the specific programmer. For the first installation of the device proceed according to the following guidelines:

- Check that any voltage supplying the plant has been removed
- Assign the address to module (if any)
- Install and wire the device according to the schematic diagrams of the specific data sheet of the product
- Only then switch on the 230Vac supplying the bus power supply and the other related circuits

Applied standards

This device complies with the essential requirements of the following directives:

2014/30/UE (EMC)
2014/35/UE (Low Voltage)
2011/65/UE (RoHS)

Note

Technical characteristics and this data sheet are subject to change without notice.